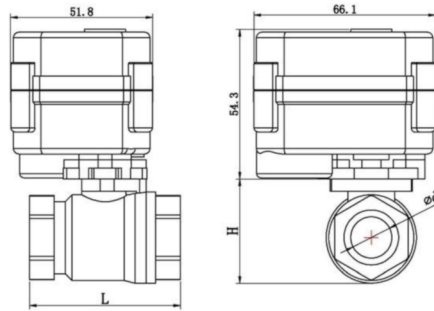


# Electric Ball Valves PFBV-E0

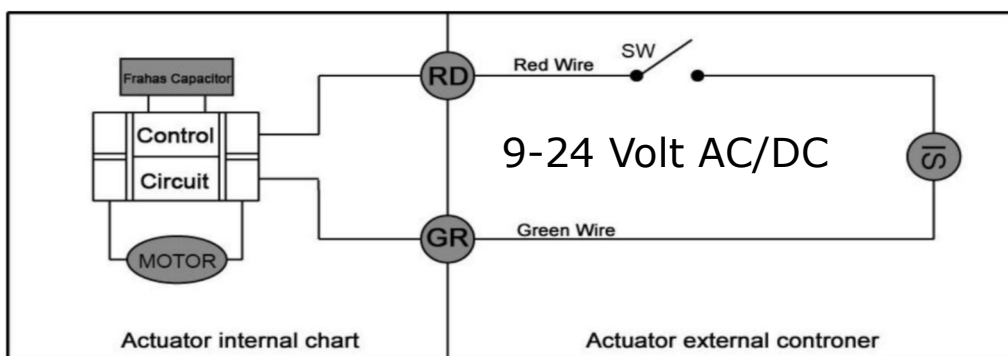


- \* Can work in boiler water room, good substitution for solenoid valve
- 1. Metal gearbox and POM gear design, low noise, perform reliably
- 2. Long service life: more than 100000 circles
- 3. Electric limit and machinery limit design, located accurately, avoid gear run continuously,
- 4. Multi-angle assembling, easy to install
- 5. Float ball structure, no leakage, especially suitable for heavy pollution conditions.

	Connection	Size	d(mm)	L(mm)	H(mm)	W(KG)
Brass	Both female thread full port	DN8	8	46	31	0.357
		DN15	15	57	38	0.433
		DN20	20	71	45	0.513
	Both female thread reduce port	DN10	8	46	31	0.356
		DN20	15	66	38	0.448
		DN25	20	72	47	0.608
	3-way vertical	DN15	12	63	49	0.434
		DN20	15	66	53	0.492
	Female-male thread full port	DN15	15	63	38	0.432
	Female-male thread reduce port	DN20	15	66	38	0.462
Both male thread	DN15	15	68	38	0.424	
Stainless steel	Both female thread full port	DN8	8	46	31	0.364
		DN15	15	55	38	0.44
		DN20	20	71	45	0.508
	Both female thread reduce port	DN10	8	46	30.5	0.368
		DN20	15	63	39	0.513
		DN25	20	75	47	0.608

Working pressure	Power	Medium temperature	Valve size	IP Grade	Product life time
Max1.0Mpa	<3W	0-100°C	DN8-DN20	IP65	100000 times

Valve body	Sealing	Seat	Valve ball
Brass/Nickel plated	Silicon Rubber/NBR/EPDM	PTFE	Brass/SS304 316
Brass/SS304 316			



**two wires and fail-safe/power-off auto return)**

1. SW connecting ,the valve open, getting the position and the motor power off automatically, the valve remains fully open position
2. SW disconnecting ,the valve close, getting the position and the motor power off automatically, the valve remains fully close position