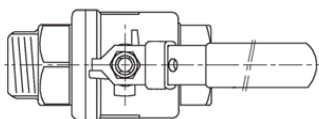
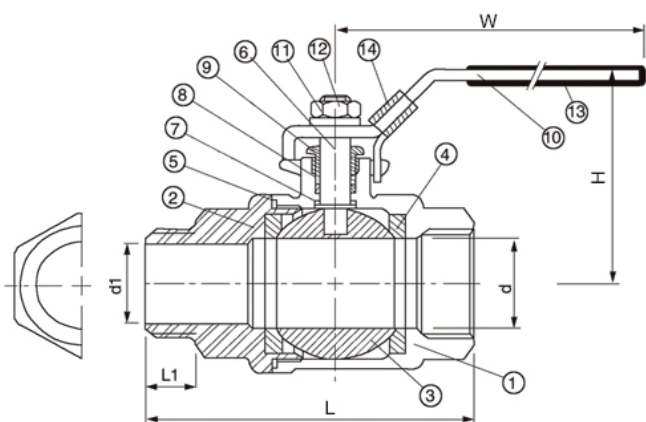
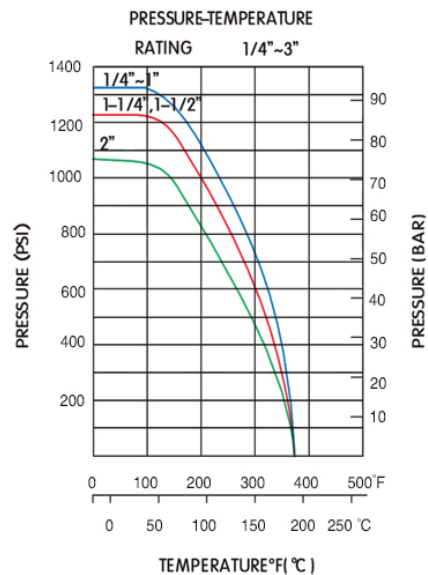


2 piece Full port ball valve screwed end M/F



ITEM	PARTS	MATERIALS T2NF	MATERIALS T2NF-C
1	BODY	ASTM-A351-CF8M	ASTM-A2 16-WCB
2	CAP	ASTM-A351-CF8M	ASTM-A216-WCB
3	BALL	ASTM-A351-CF8M	ASTM-A351 -CF8M
4	BALLSEAT	PTFE	PTFE
5	JOINT GASKET	PTFE	PTFE
6	STEM	AISI316	A ISI316
7	THRUST WASHER	PTFE	PTFE
8	STEM PACKING	PTFE	PTFE
9	GLAND NUT	AISI304	A ISI304
	HANDLE	AISI304	A ISI304
11	SPRING WASHER	AISI304	A ISI304
12	STEM NUT	AISI304	A ISI304
13	PLASTIC COVER	PLASTIC	PLASTIC
14	LOCK DEVICE	AISI304	A ISI304



Kogelkraan 2 delig met volle doorlaat

	d	d1	L	L1	H	W	Cv Factor	Kgf/cm
2-delige kogelkraan FB LD bi/bu 1/4"	12,8	7,0	63,0	12,6	51	95	6,6	40
2-delige kogelkraan FB LD bi/bu 3/8"	12,8	8,5	63,5	13,2	51	95	7,9	40
2-delige kogelkraan FB LD bi/bu 1/2"	15,0	12,5	74,0	16,7	55	95	11,2	54
2-delige kogelkraan FB LD bi/bu 3/4"	20,0	17,5	82,0	18,2	59	110	21,0	74
2-delige kogelkraan FB LD bi/bu 1"	25,0	23,8	98,5	21,0	73	135	35,0	104
2-delige kogelkraan FB LD bi/bu 1.1/4"	32,0	30,8	112,4	23,5	78	135	57,0	135
2-delige kogelkraan FB LD bi/bu 1.1/2"	38,0	36,6	126,4	23,5	91	147	80,0	180
2-delige kogelkraan FB LD bi/bu 2"	50,0	47,5	151,7	27,8	99	165	148,0	250