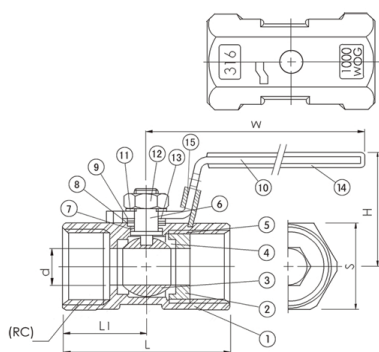
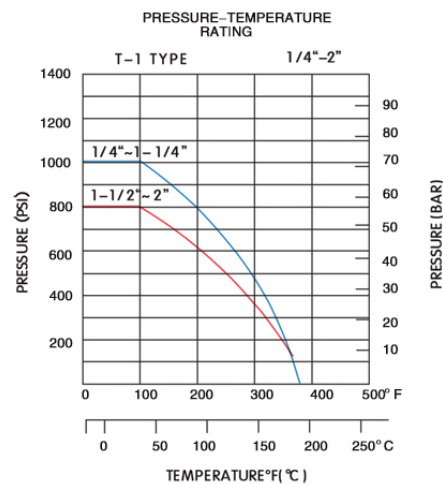


# 1 piece Reduced port ball valve screwed end

NO	PARTS	Q'TY	MATERIAL	
1	BODY	1	ASTM-A351-CF8M	ASTM-A216-WCB
2	INSERT	1	ASTM-A351-CF8M	ASTM-A216-WCB
3	BALL	1	ASTM-A351-CF8M	ASTM-A351-CF8M
4	BALLSEAT	2	PTFE	PTFE
5	JOINTGASKET	1	PTFE	PTFE
6	STEM	1	AISI316	AISI316
7	THRUSTWASHER	1	PTFE	PTFE
8	STEMPACKING	1	PTFE	PTFE
9	STEMWASHER	1	AISI304	AISI304
10	HANDLE	1	AISI304	AISI304
11	SPRINGWASHER	1	AISI304	AISI304
12	STEMNUT	1	AISI304	AISI304
13	BELLEVILLEWASHER	1	AISI304	AISI304
14	PLASTICCOVER	1	PLASTIC	PLASTIC
15	LOCKDEVICE	1	AISI304	AISI304



## 1-delige kogelkraan LD gereduceerde doorlaat

	D	L	L1	H	W	S
1-delige kogelkraan LD 1/4"	5,0	39,0	19,0	30	70	17
1-delige kogelkraan LD 3/8"	6,8	44,0	21,0	34	90	21
1-delige kogelkraan LD 1/2"	9,2	56,5	27,5	41	100	25
1-delige kogelkraan LD 3/4"	12,5	59,0	29,0	44	100	32
1-delige kogelkraan LD 1"	15,0	71,0	34,5	50	110	38
1-delige kogelkraan LD 1.1/4"	20,0	78,0	37,0	55	110	48
1-delige kogelkraan LD 1.1/2"	25,0	83,0	40,0	64	135	53
1-delige kogelkraan LD 2"	32,0	100,0	49,0	70	145	65
1-delige kogelkraan LD 2.1/2"	38,0	128,0	60,0	83	190	85
1-delige kogelkraan LD 3"	65,0	153,0	72,0	77	189	96